

Manual



elekon

Elekon AG
Cheerstrasse 16
CH-6014 Luzern
www.batlogger.com

Thank you for purchasing Elekon AG StrongBox S.

The StrongBox S enables long-term monitoring and monitoring of bat habitats. It protects the BATLOGGER M from weather influences and extends the power supply by additional batteries.

1 Notes



Instructions for safe use:

Children must be supervised while using this product. Do not disassemble or modify the product. Please read these instructions carefully and completely before using this product.



Batteries:

7.2V 6900mAh batteries must be used for operation. Old or defective batteries must be removed and disposed of properly. Use only manufacturer's batteries to ensure proper and safe operation.

2 Verpackungsinhalt

- StrongBox S
- Power supply
- Microphone cable
- 3 battery packs
- This manual

3 Functions

- Protects the BATLOGGER M from weather influences
- Battery life of 120h
- Lock with shackle lock prevents unauthorised opening
- Solar panel connection possible

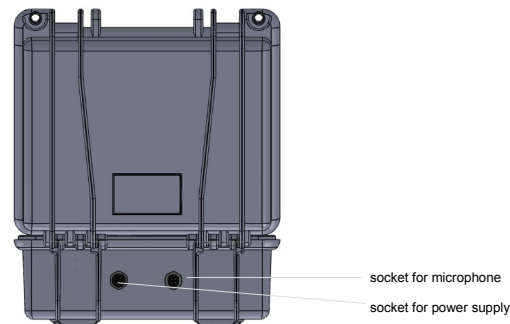
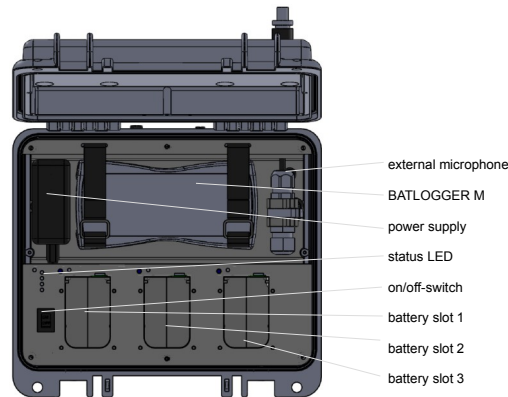
4 Using the StrongBox S

1. Place the BATLOGGER M in the provided recess and fix it in place
2. Connect the microphone cable to the BATLOGGER M
3. Connect the power supply to the BATLOGGER M
4. Connect the external microphone cable to the Strongbox
5. Insert the desired number of batteries
6. Switch the StrongBox to ON.
7. Start the desired recording mode on the BATLOGGER M.
8. Close the StrongBox
9. Optional: Secure the Strongbox with a shackle lock.

5 LED display

- When the battery is inserted, the corresponding LED lights up.
- The LED switches off when the battery is fully charged.
- If the battery is at 90%, the LED starts flashing.
- If a power supply unit is plugged in, but no battery is connected, all LEDs on the batteries flash.

6 Overview



7 Specifications

Dimensions L×W×H, weight	27.4 cm x 24.8 cm x 12.25 cm, 2.9kg
power supply	10..26 VDC, min. 20W, Plug-in power supply with 24 VDC 24W (100-240 VAC), Direct connection of photovoltaic modules possible
Operating time	approx. 120h (with 3 batteries)
Operating conditions	-10..+50 °C, 10..90 %RH (non-condensing) Charging mode: 0..+40 °C Power supply: 0..+40 °C
Display	LED display

8 Legal information

- Unauthorized reproduction of this manual is prohibited.
- Information, specifications and design of the products are subject to change without notice.
- The illustrations used may differ from the actual product.
- Notwithstanding the foregoing, Elekon AG shall not be liable for any loss arising out of the use of this product.



Made in Switzerland
Juni 2018

elekon

Elekon AG
Cheerstrasse 16
CH-6014 Luzern

www.batlogger.com

© 2018 Elekon AG. All rights reserved. Elekon, the Elekon logo and StrongBox are trademarks and/or registered trademarks of Elekon AG. Other brands and product names are trademarks or registered trademarks of their respective owners. Information is subject to change without notice.